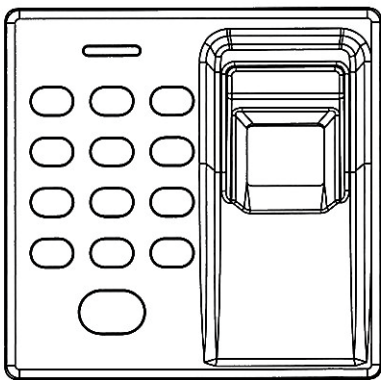


# DELTONS

## Fingerprint Access Control System

### User Manual



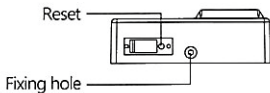
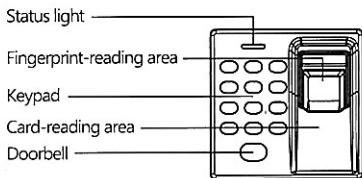
FD1



Due to continuous update of our products

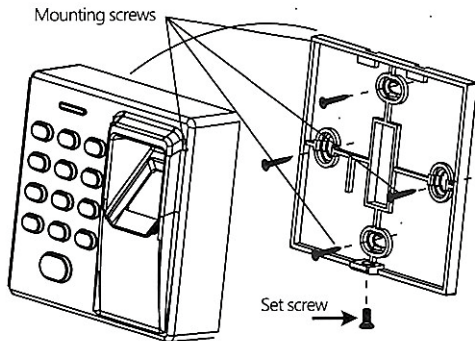
# I. Product Overview and Installation Instruction

## Applicable Models



S.N.	Functions
1	Dark-background fingerprint reader
2	Built-in card reader
3	User verification with fingerprint or card
4	Numeric keys
5	Tamper alarm
6	Reading head for data output
7	86mm box-type panel for installation

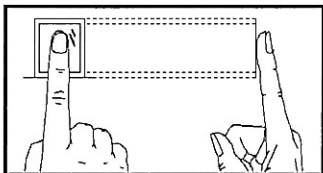
- Operating Environment is as follows.
- Room temperature:  $-20^{\circ}\text{C}$  -  $+50^{\circ}\text{C}$
- Relative humidity: 95%
- Operating Voltage & Current as follows.
- Input DC: +12V
- Standby current:  $\leq 60\text{mA}$
- Operating current:  $\leq 120\text{mA}$



## II. Inputting Fingerprint

Suggested finger: index finger, middle finger or ring finger instead of thumb or little finger

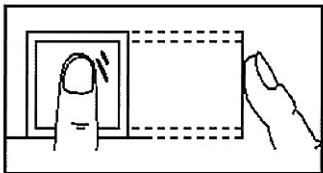
### 1) Correct method



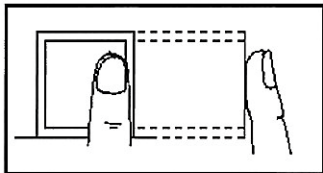
Use the finger to evenly press the center of fingerprint area

### 2) Wrong methods

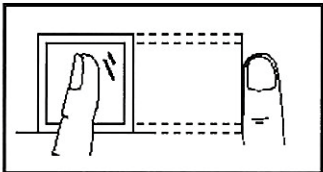
Incomplete touch



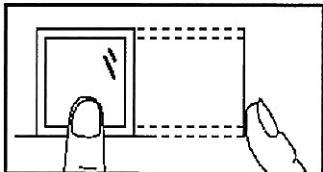
Off center



Turn sideways



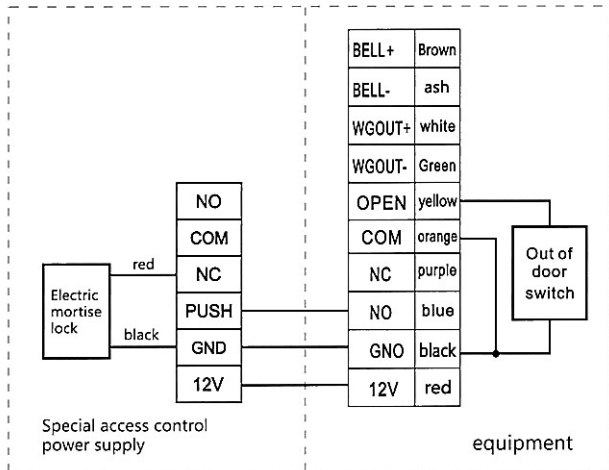
Low position



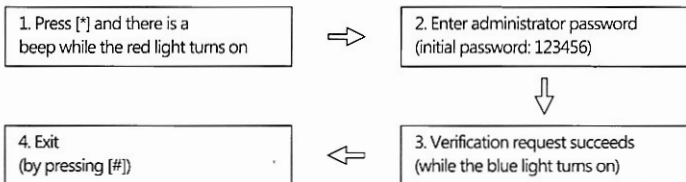
Please input fingerprint correctly for verification, and improper operation might result in poor performance of this device

### III .Connection power supply and lock

#### 1. using special access control power supply wiring diagram



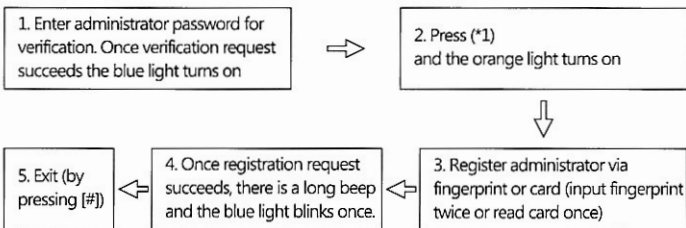
## IV. Administrator Operation



### Remarks:

After successful verification, user is allowed to register Administrator account. Then the initial password will be invalid.

### 4.1 Registering Administrator



### Remarks:

1. It is allowed to register with 5 administrator only via fingerprint or card.

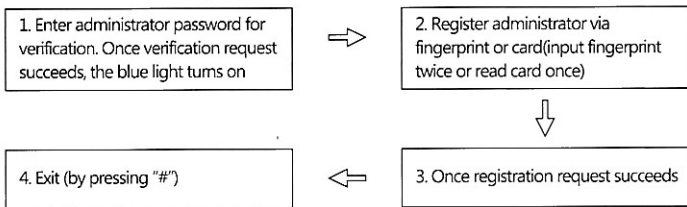
### 4.2 If the administrator password is lost.

Power off, press #, hold it, and power on, after 5 seconds, there will be one long beep, means delete the master successfully, then release the button

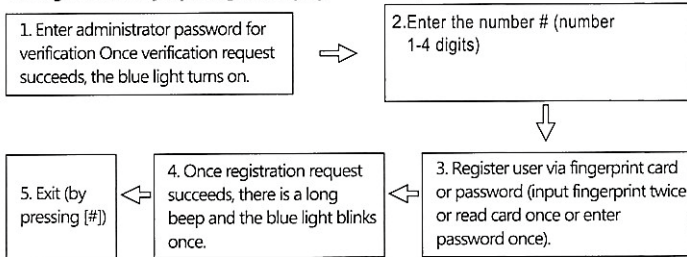
**Attention:** Do not release the # button until one long beep

## V. To enroll a new user

### 5.1 A new users ID will be generated automatically.



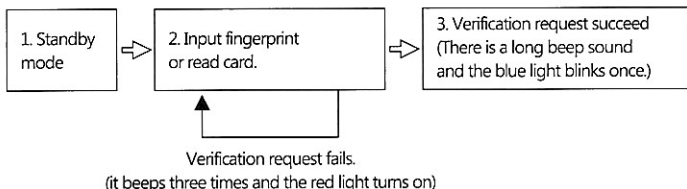
### 5.2 Register users by inputting the Employee ID directly



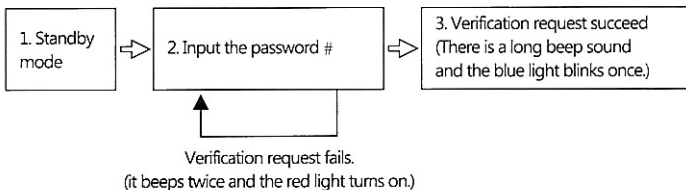
**Note:** the password is 4-6 bits

## VI: Verification

### 6.1 User Verification via Fingerprint or Card

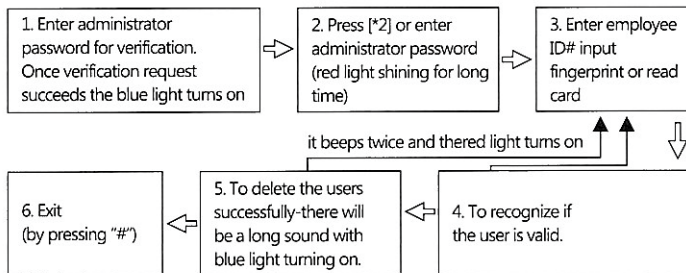


## 6.2 User Verification via Password

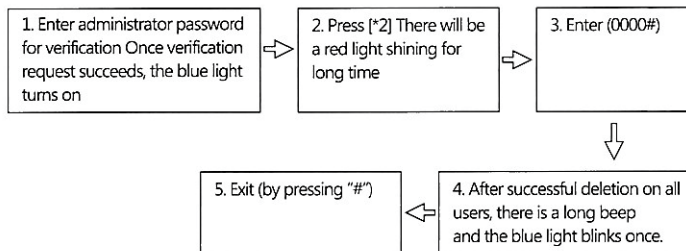


## VII: Deleting Users

### 7.1 Delete a User

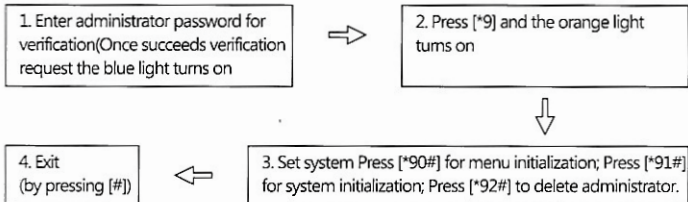


### 7.2 Delete All Users

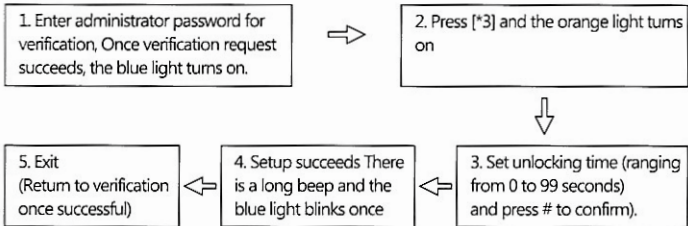


## VIII: Access Control System Management

### 8.1 System Settings



### 8.2 Setup the time for unlocking.



The functions for the U Disc is as follows.

To connect the U Disc,input manager fingerprint,manager card or manager password and being back to menu after successful verification.

Note: 1,The machine and U Disc will synchronize datas.

2,The user information in the machine will be updated by U Disc.

## IX: Unpacking

Description	Specifications	Quantity	Remarks
Device		1	
Packaging box		1	
Plastic plugs	Φ 4mmX28mm	4	For mounting and fixing
Self-tapping screws	Φ 4mmX28mm	4	For mounting and fixing