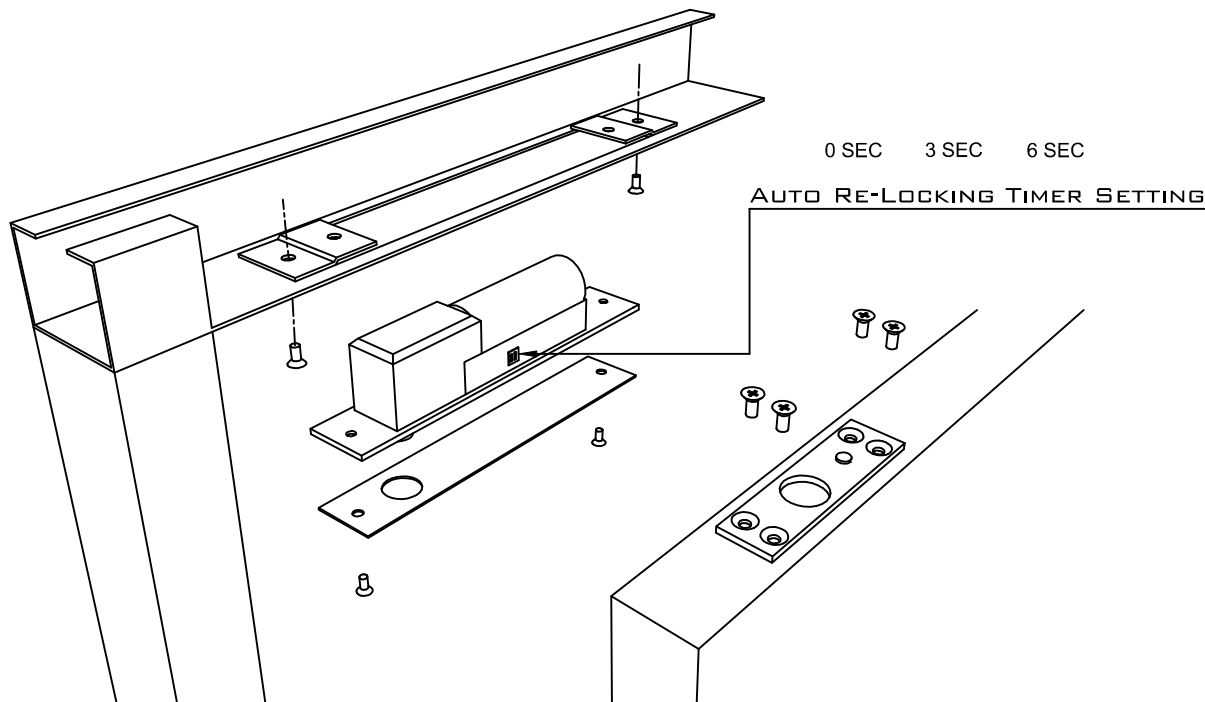




Electric Drop Bolt Installation Guide Model : DBL-100



SPECIFICATION:-

1. Voltage Input : 12 VDC
2. Wiring : Red = Positive (+)ve
Black = Ground (-)ve
White = Common
Blue = Normally Close
Yellow = Open
3. Solenoid : Continuous Operating
4. Current Consumption : Initiation:900mA ; Operating:100mA
5. Automatic Dead Bolt : Standard on all models.
6. Fail Safe : Lock when energized (Power to Lock)
7. Door State Detection : Door detector is switch On / Off.

