

Access Controller & Security System

User Manual

Note:

This equipment is used to control the electric strike lock or electric magnetic lock, if other control equipment, please contact with our engineers.

Content

Chapter One Access Controller Wiring Diagram

1.1 Single Door Access Controller Wiring Diagram(TCP/IP Communication).....	Page of 1
1.2 Double Door Access Controller Wiring Diagram(TCP/IP Communication).....	Page of 2
1.3 Four Door Access Controller Wiring Diagram(TCP/IP Communication).....	Page of 3

Chapter Two Access Controller Diagrammatic Connection

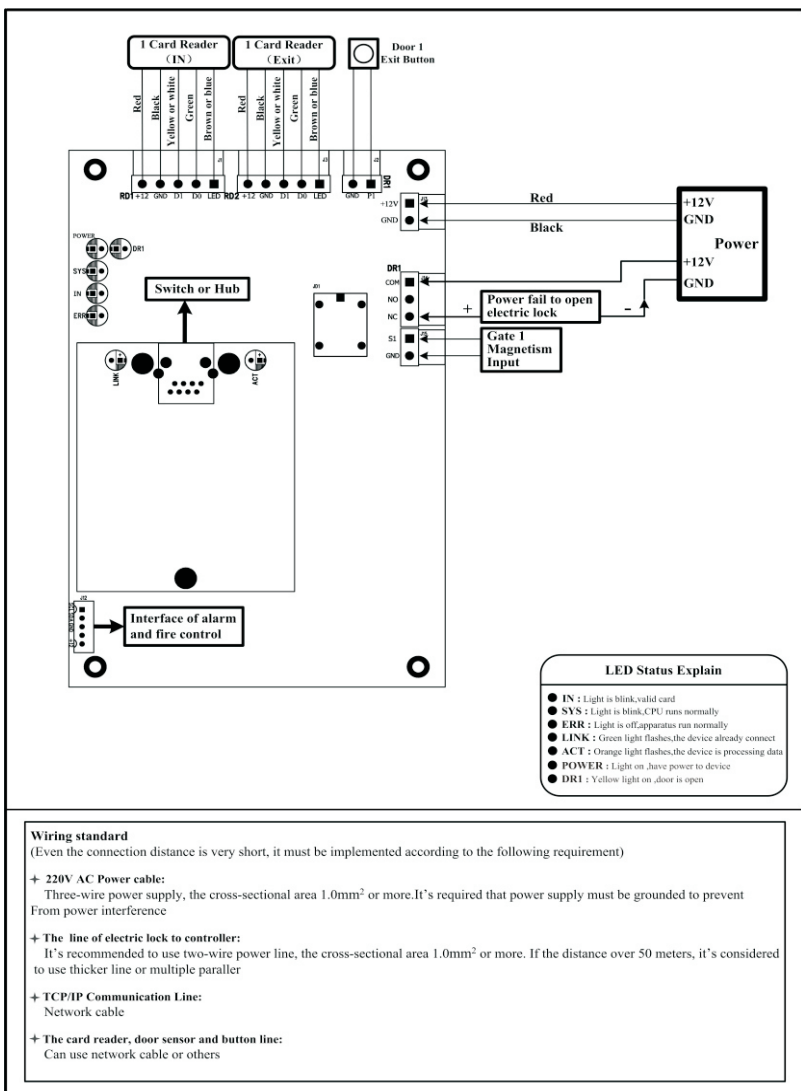
Access Controller Wiring Diagram For TCP/IP Communication).....	Page of 4
---	-----------

Appendix

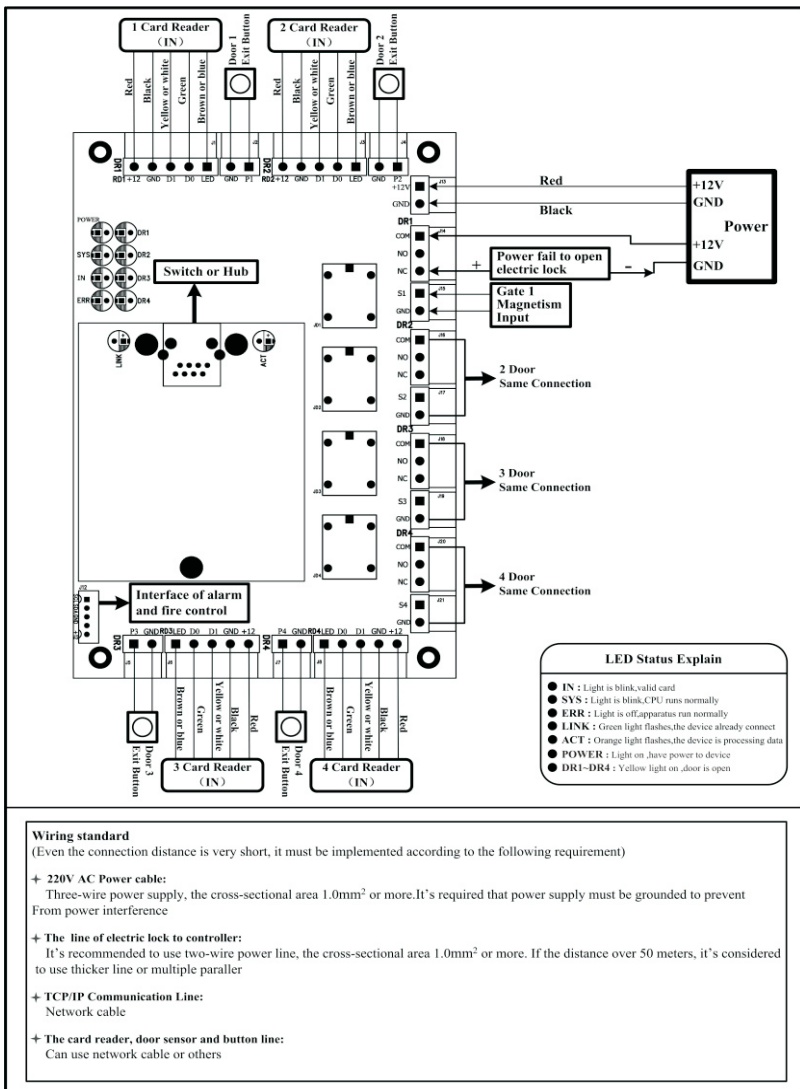
Alarm Output and Fire Linkage Extend Board(Optional part).....	Page of 5
--	-----------

Chapter One Access Controller Wiring Diagram

1.1 Single Door Access Controller Wiring Diagram(TCP/IP Communication)

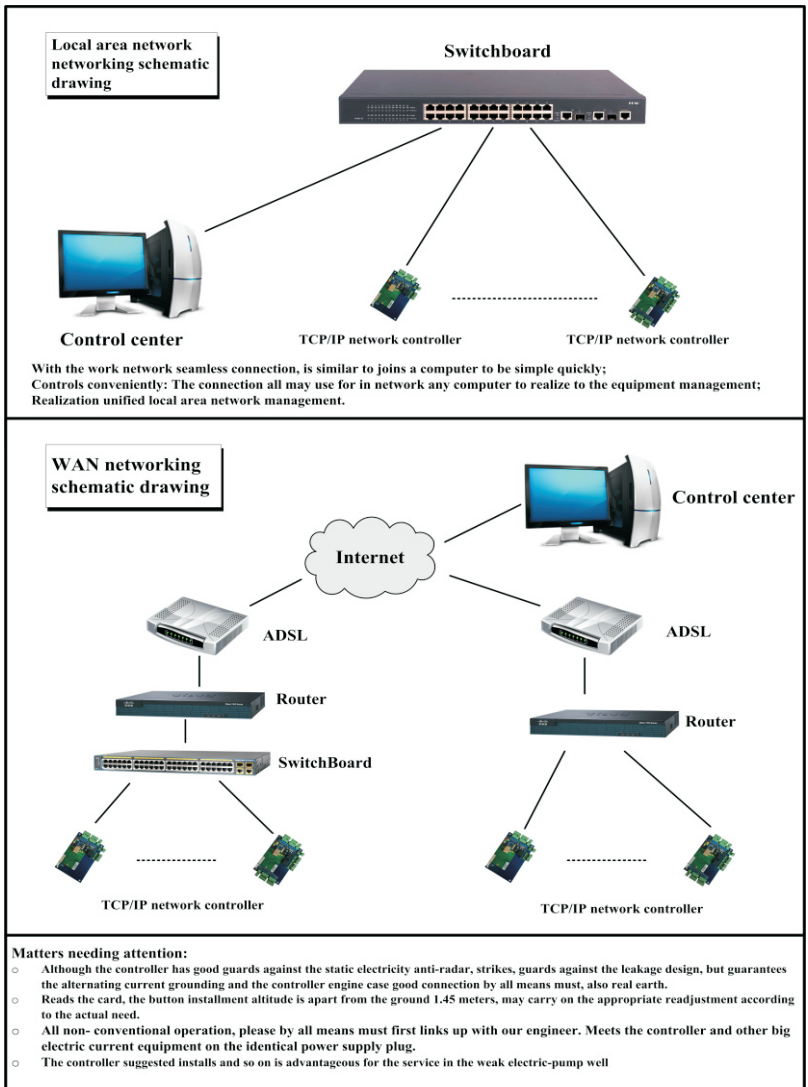


1.3 Four Door Access Controller Wiring Diagram(TCP/IP Communication)



Chapter Two Access Controller Diagrammatic Connection

Access Controller Wiring Diagram For TCP/IP Communication



Appendix

Alarm Output and Fire Linkage Extend Board(Optional part)

I. Overview

Fire and alarm linkage extend panel is one add-on module of access controllers. It is for output linkage of offering fire and alarm signals. It is with the advantages of strong practicability. Simple connecting and stable functions. With power and relay indicator light, which can indicate the communication faults. It is a cost-effective and high-performance linkage extend module.

II. The characteristics of the module

1. Four-alarm output, can definite functions freely for one door or some doors of the connected controller.
2. Can connect fire signal output, and automatically open all doors of the connected controller after receiving fire signal; meanwhile, one fire alarm record will be occurred for query afterwards.
3. Available for "illegal intrusion", "door long time open", "threect enter", "linkage to open the door", "invalid card" and "fire alarm linkage out" etc.
4. Can be set for each output of the delay time 0~6000 seconds.

III. The appearance of structure

